

Classic Edge 760/960 with 3 Pumps Installed

3 - Pump Parts List*

3/4" Supply		
Qty	p/n	Description
6	1330	MPT to PEX, 3/4" x 1"
6	5926	Clamp Crimp Ring, 1"
2	224	Isolation Flange Kit, 3/4"
2	5800033	0015e3 Pump
2	556	Power Supply Cord, 32" 1" Central PEX

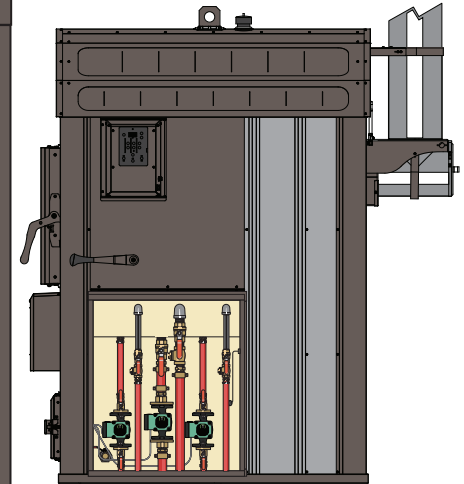
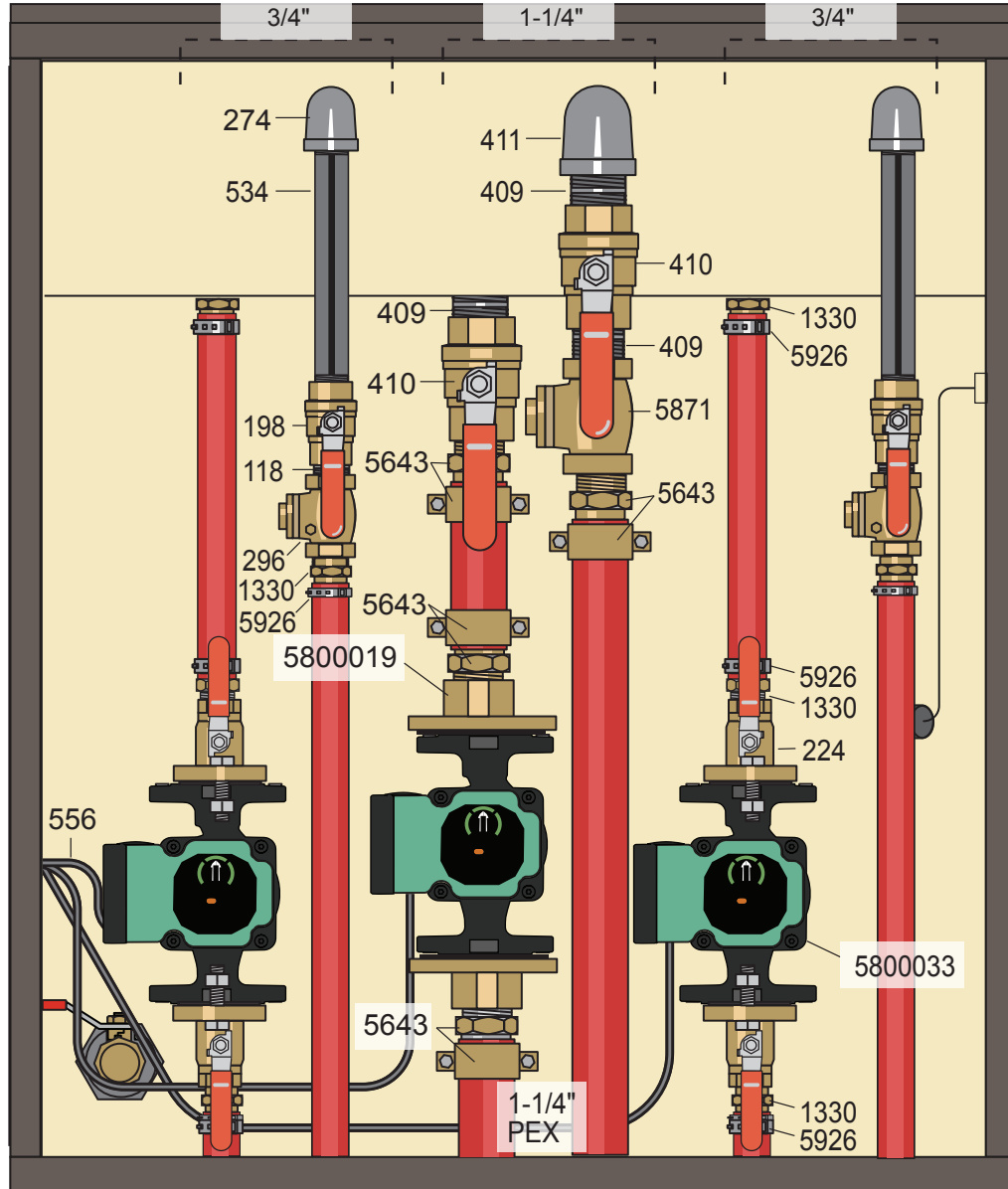
3/4" Return		
Qty	p/n	Description
2	274	90° Street Elbow, 3/4"
2	534	Nipple, 3/4" x 7"
2	198	Ball Valve, 3/4"
2	118	Close Nipple, 3/4"
2	296	Swing Check Valve, 3/4"
2	1330	MPT to PEX, 3/4" x 1"
2	5926	Clamp Crimp Ring, 1"

1-1/4" Supply & Return		
Qty	p/n	Description
3	409	Close Nipple, 1-1/4"
2	410	Ball Valve, 1-1/4"
4	5643	Brass Clamp, 1-1/4"
1	5800019	Pump Flange Kit, 1-1/4"
1	5871	Swing Check Valve, 1-1/4"
1	5800033	0015e3 Pump
1	556	Power Supply Cord, 32"
1	411	90° Street Elbow, 1-1/4"

*Parts and accessories sold separately.
Pump size may vary.

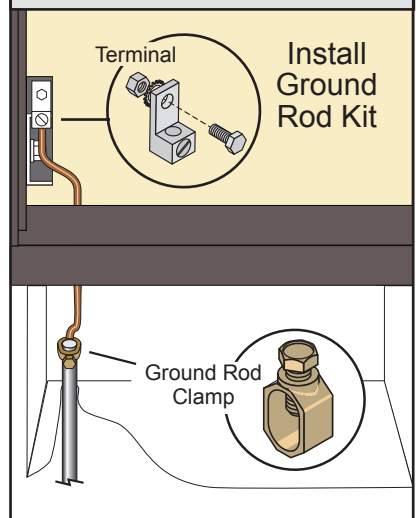
NOTE

The Ground Rod Kit (p/n 6593), included with the outdoor furnace, must be installed with every furnace.



Area of Focus

Ground Rod Kit Install



For illustration purposes only. Different configurations may be used. However, it is recommended to mount the pumps as low as possible to lessen cavitation and pump problems.

